

700 KW Resistive



Built for Transport

Castors or forklift pockets with additional trailer options

Dual Voltage

Available with 480v and 240v configurations

Multiple Control Options

Hand-held, PC, manual control or customized control system

MANUFACTURE RENTAL
CL Crestchic Loadbanks
WORLDWIDE LOADBANK SPECIALISTS
The leading authorized distributor of Crestchic since 2001

Loadbank Specifications

Capacity

700 KW, units are linkable for larger loads

Control System

Hand-held, PC, manual control or customized control system

Enclosures

Weatherproof enclosure

Design Voltage

50/60 Hz, 380-480 volts
240 volts single phase

Fan and Control Power

Fan auto reverse

Dimensions

Fully customizable. Standard options
Height: 60", Width: 40",
Length: 60", Weight: 1,475 lbs.

it works. every time.

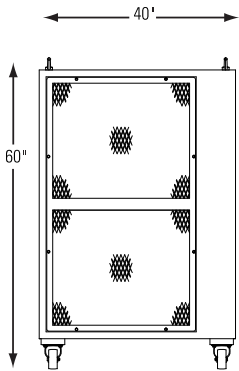
877.838.1088

hpsloadbanks.com
sales and rentals

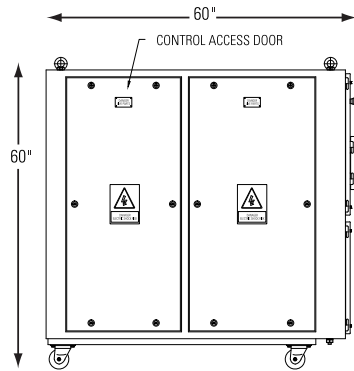


700 KW Resistive

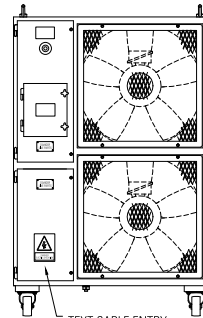
Loadbank Footprint Rendering



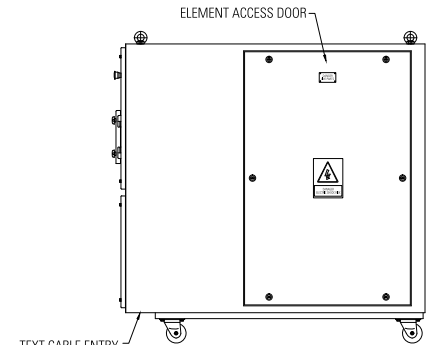
REAR VIEW



LEFT SIDE VIEW



FRONT VIEW



RIGHT SIDE VIEW

*SHOWN WITH OPTIONAL CASTORS

Loadbank Trailer Options

SINGLE AXLE

- 5000 lbs GVWR
- OEM Safety Package (ball hitch, jack stand, lights, and safety chains)
- Weatherproof lockable accessory storage
- 5' x 8' Deck with aluminum diamond plate
- Ease of maneuverability
- Space for transporting rolled up cable on deck or optional cable hanging racks

DOUBLE AXLE

- 7000 lbs (one loadbank), 9500 lbs (two loadbanks) GVWR
- OEM Safety Package (ball hitch, breaks, jack stand, lights, safety chains)
- Weatherproof lockable accessory storage
- 8' x 13' Deck with aluminum diamond plate
- Large capability in small package
- Lockable enclosure with 3 motorized / manual cable reels with 850' of 4/0 cable capacity per reel

Loadbank Controller Specifications

KCS

Factory mounted manual control system, thumbwheel switches for adding or removing kW and PF, analog ammeter for each phase, and analog voltmeter with a selector switch for each phase

KCS100L

Hand-held controller to run manual load tests and control the loadbank from up to 300 meters away

Starlight System

Captures data, transfers all test results to a PC; produces graphs, charts, and reports; compatible with all Microsoft® operating systems

Customized Control System

Wired for PLC installation

Materials and specifications are subject to change without notice.

it works. every time.

877.838.1088

hpsloadbanks.com
sales and rentals