

# 3.3 MVA Resistive/Reactive



## All Weather Unit

Operates in all weather conditions and ambient temps up to 120° F

## PC Data Logging Capabilities

Print, graph and download professional diagnostic reports

## Industry Leading Life Span

Durable 15+ year unit reliability

**MANUFACTURE RENTAL**  
**CRESTCHIC**  
**Crestchic Loadbanks**  
WORLDWIDE LOADBANK SPECIALISTS  
The leading authorized distributor of Crestchic since 2001

## Loadbank Specifications

### Capacity

3.3 MVA/2640 KW @ 480 volts, 60 Hz, 3 phase, 0.8 PF units are linkable for larger loads

### Design Voltage

480 volts, 60 Hz; may be used in lower voltages and 50 Hz at reduced capacity

### Minimum Load Steps

1kW, 1kVAR

### Control System

Hand-held, PC, or manual control systems

### Ambient Parameters

Maintains maximum capacity in ambient conditions up to 120° F

### Fan and Control Power

Via main bus or 70 amp, 480 volt, 3 phase external source

### Air Flow

Side intake, top exhaust

### Enclosures

10' ISO weatherproof container

### Dimensions

3.3 MVA – Height: 8.5'  
Width: 8.0', Length: 10.0'  
Weight: 22,500 lbs.

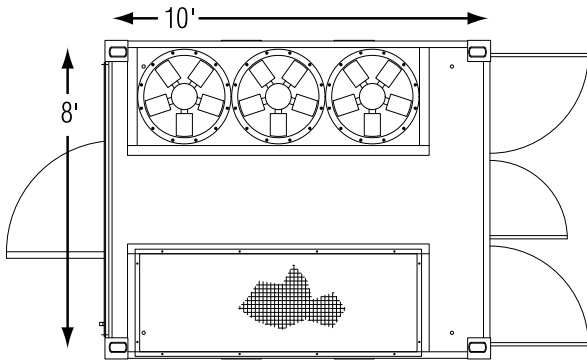
**it works. every time.**

**877.838.1088**

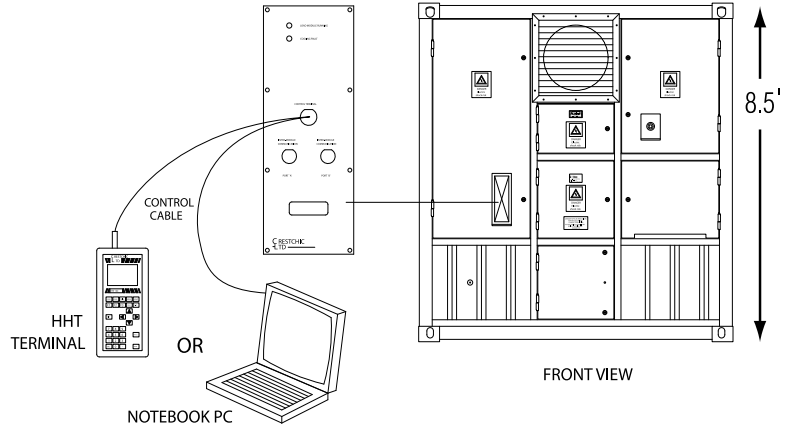
**hpsloadbanks.com**  
sales and rentals

# 3.3 MVA Resistive/Reactive

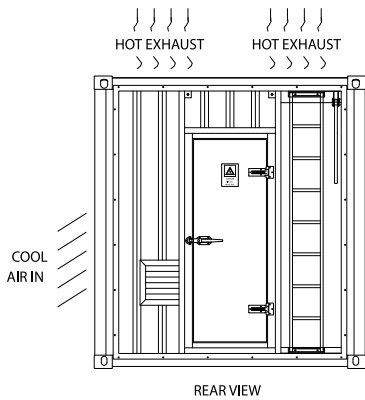
## Loadbank Footprint Rendering



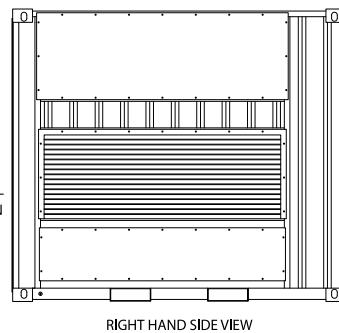
PLAN VIEW / FOOTPRINT  
SHOWING DOORS OPENING



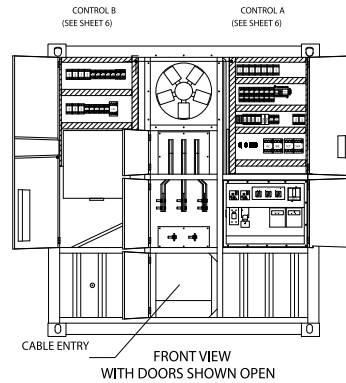
NOTEBOOK PC  
FITTED WITH  
LOADBANK CONTROL SOFTWARE



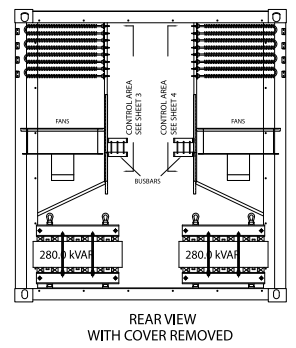
REAR VIEW



RIGHT HAND SIDE VIEW



FRONT VIEW  
WITH DOORS SHOWN OPEN



REAR VIEW  
WITH COVER REMOVED

## Loadbank Controller Specifications

### KCS

Factory mounted manual control system, thumbwheel switches for adding or removing kW and PF, analog ammeter for each phase, and analog voltmeter with a selector switch for each phase

### HHT-100

Hand-held controller to run manual load tests, automatic load tests, and control the loadbank from up to 300 meters away

### Eclipse PC System

Transfers all test results to a PC; produces graphs, charts, and reports; compatible with all Microsoft® operating systems

*Materials and specifications are subject to change without notice.*

it works. every time.

877.838.1088

hpsloadbanks.com  
sales and rentals